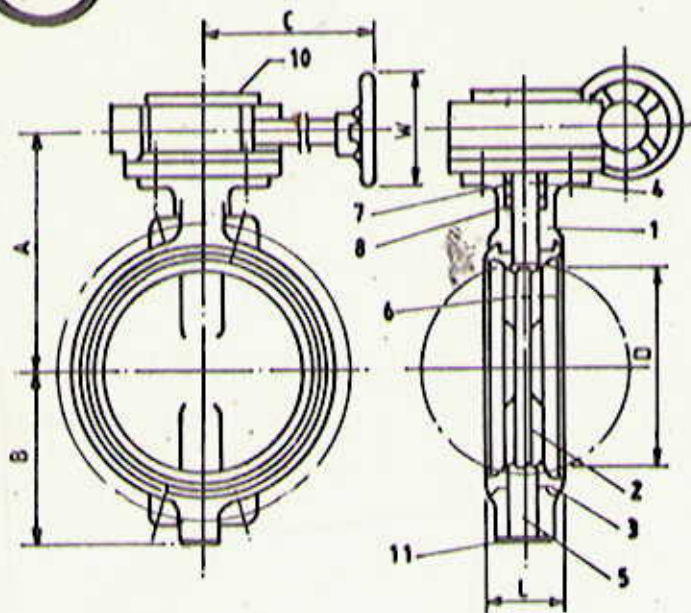




BUTTERFLY VALVE WITH WORM GEAR



No.	Description	Material
1	BODY	Cast Iron FG 200/260
2	DISC	ASTM A351Gr.CF8/CF8M
3	SEAL	Elastomer *
4	TOP SPINDLE	AISI 410/304/316
5	BOTTOM SPINDLE	AISI 410/304/316
6	PIN	AISI 410/304/316
7	BUSH	PTFE/NYLON
8	PACKINGS	Elastomer *
9	RATCHET	---
10	GEAR BOX	---
11	COVER	Steel

* Nitrile / Neoprene / Butyl / EPDM / Hyton / Silicon / Viton

TEST PRESSURE IN KG/CM*			
HYDROSTATIC			
SHELL	20	SEAT	12

SIZE	50	65	80	100	125	150	200	250	300	350	400	450	500	550	600
A	145	155	165	180	195	210	250	285	325	350	408	433	473	503	528
B	63	70	92	103	125	137	192	229	264	289	315	348	377	427	432
C	164	164	164	164	194	194	247	247	282	317	363	363	363	448	448
D	57	70	82	104	127	150	194	247	294	332	387	436	488	535	585
W	125	125	125	125	160	160	200	200	200	315	315	400	450	500	500
L	43	45	46	50	55	60	65	80	90	100	110	120	140	150	160
WT./KG.	6.7	7.3	9.8	12	15	17	28	39	52	65	104	140	172	207	238

Butterfly valves Wafer style for installation between ASA 150 flanges unless otherwise specified.



S. R. STEELS

DRAWN	CHECKED	APPROVED	DATE	NO. OFF	MATL.	SCALE
<i>[Signature]</i>	<i>[Signature]</i>		15/11/92		C. I.	—
D3-BONANZA INDUSTRIAL ESTATE, ASHOK CHAKRAVARTY ROAD, KANDIVLI (EAST) BOMBAY 400101.				ORG. NO. SR4-1030		