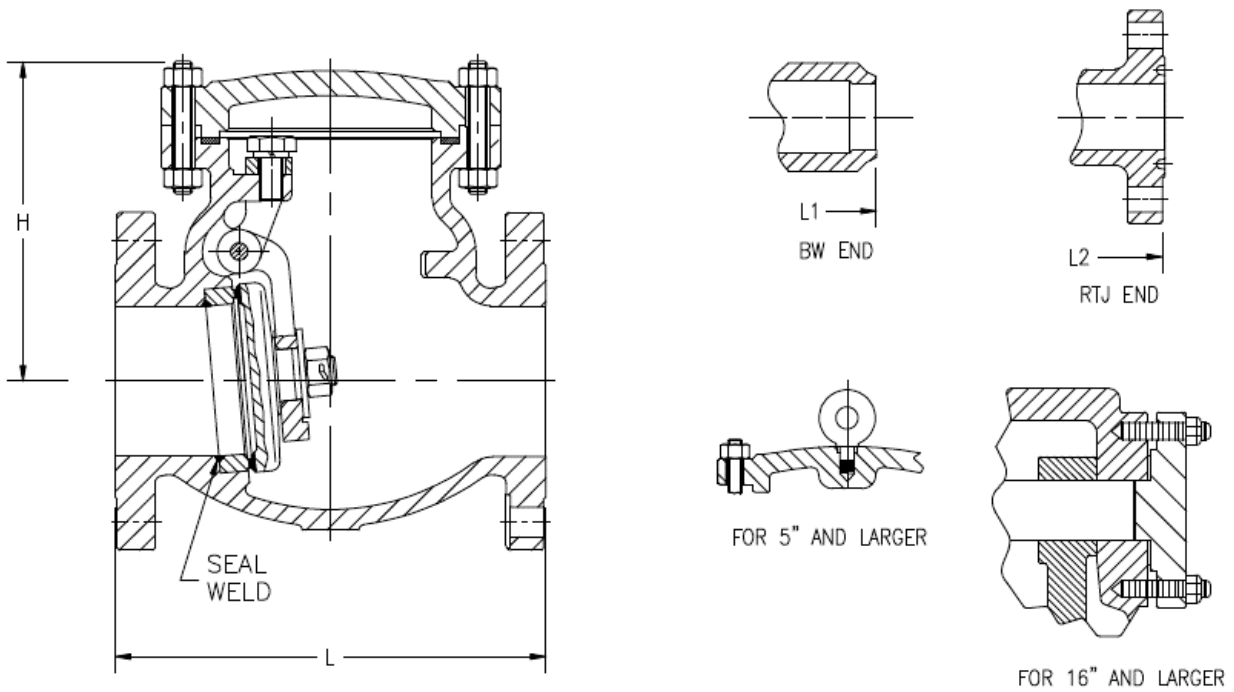
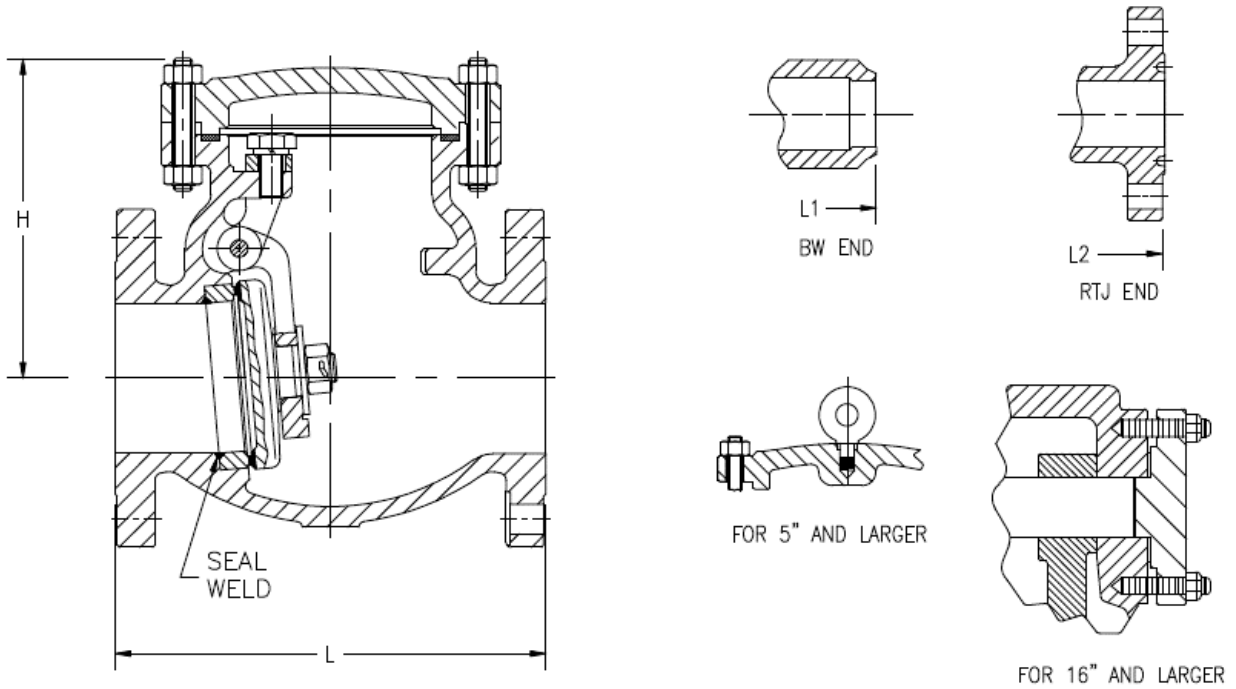


150# lb. Check Cast Steel Valve



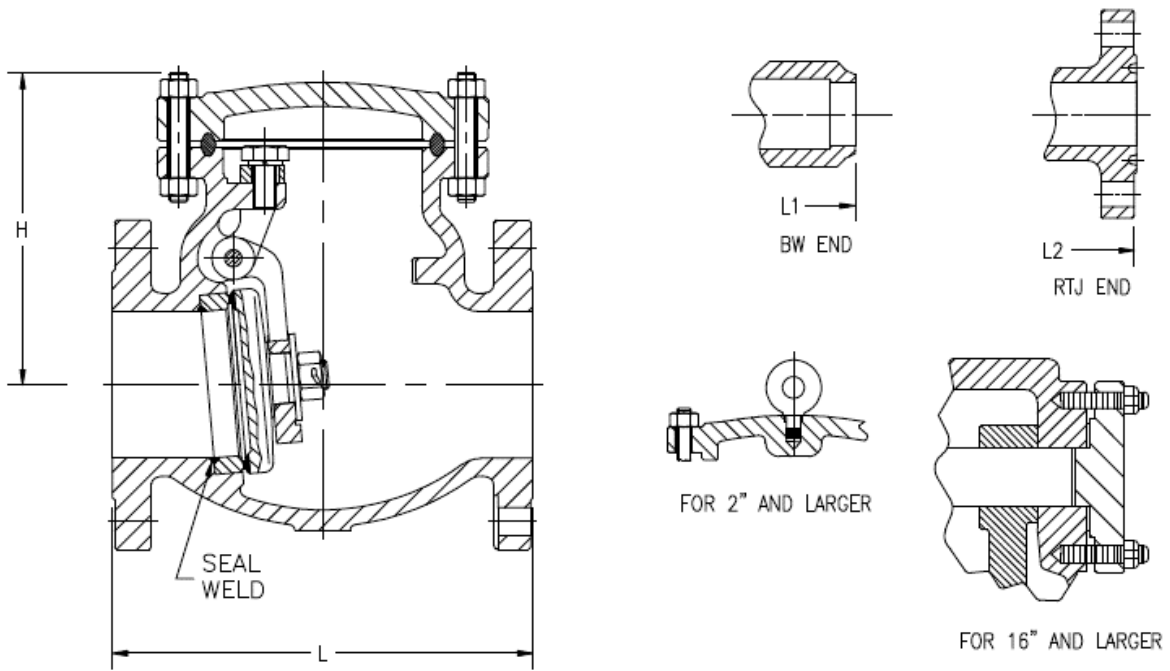
150# lb. Check Cast Steel Valve												
Size	inch	2	2.5	3	4	5	6	8	10	12	14	16
	mm	50	65	80	100	130	150	200	250	300	350	400
L	mm	203	216	241	292	330	356	495	622	699	787	864
L1	mm	203	216	241	292	330	356	495	622	699	787	864
L2	mm	216	229	254	305	343	368	508	635	711	800	876
W	mm	200	200	250	250	250	300	350	400	500	500	600
H	mm	160	167	180	217	285	315	365	445	510	532	583
WT (RF)	kg	19	24	28	48	63	79	130	200	300	451	556
WT (BW)	kg	15	20	23	42	51	67	118	162	236	322	469

300# lb. Check Cast Steel Valve



300# lb. Check Cast Steel Valve										
Size	inch	2	2.5	3	4	5	6	8	10	12
	mm	50	65	80	100	130	150	200	250	300
L	mm	266.7	292.1	317.5	355.6	400.1	444.5	558.8	622.3	711.2
L1	mm	266.7	292.1	317.5	355.6	400.1	444.5	558.8	622.3	711.2
L2	mm	282.5	307.9	333.3	371.4	415.8	460.3	549.2	638.1	727
H	mm	195	210	225	270	310	330	395	465	482
WT (RF)	kg	31	39	45	68	90	136	220	315	449
WT (BW)	kg	26	31	37	51	67	110	174	203	384

600# lb. Cast Steel Check Valve



600# lb. Cast Steel Check Valve										
Size	inch	2	2.5	3	4	5	6	8	10	12
	mm	50	65	80	100	130	150	200	250	300
L	mm	292	330.2	355.6	431.8	508	558.8	660.4	787.4	838.2
L1	mm	292	330.2	355.6	431.8	508	558.80	660.4	787.4	838.2
L2	mm	295	333.3	358.7	434.9	511.1	561.85	663.5	790.5	841.3
H	mm	180	197	285	325	343	376	532	583	608
WT (RF)	kg	32	42	60	110	161	221	346	628	796
WT (BW)	kg	24	33	49	82	127	182	291	498	691