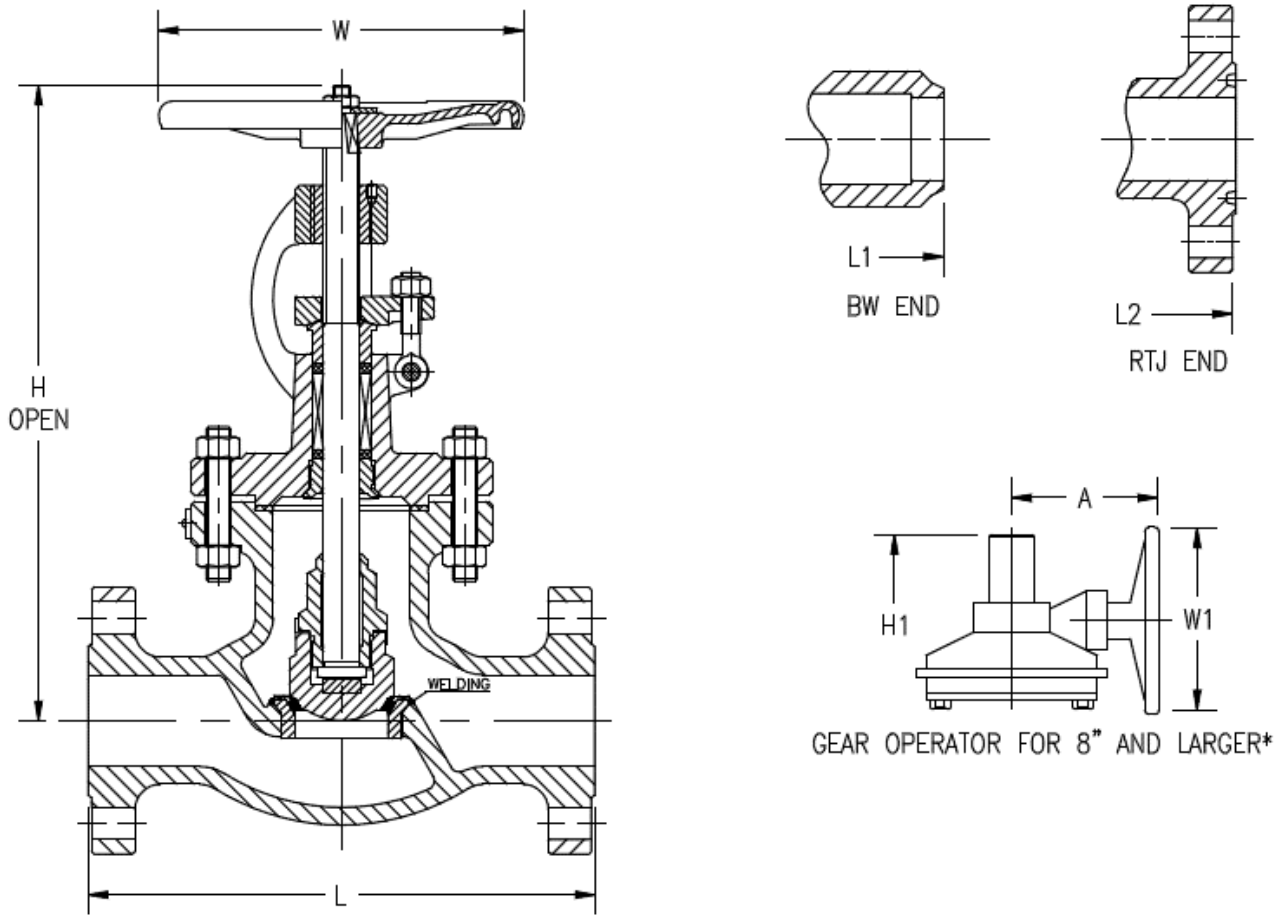


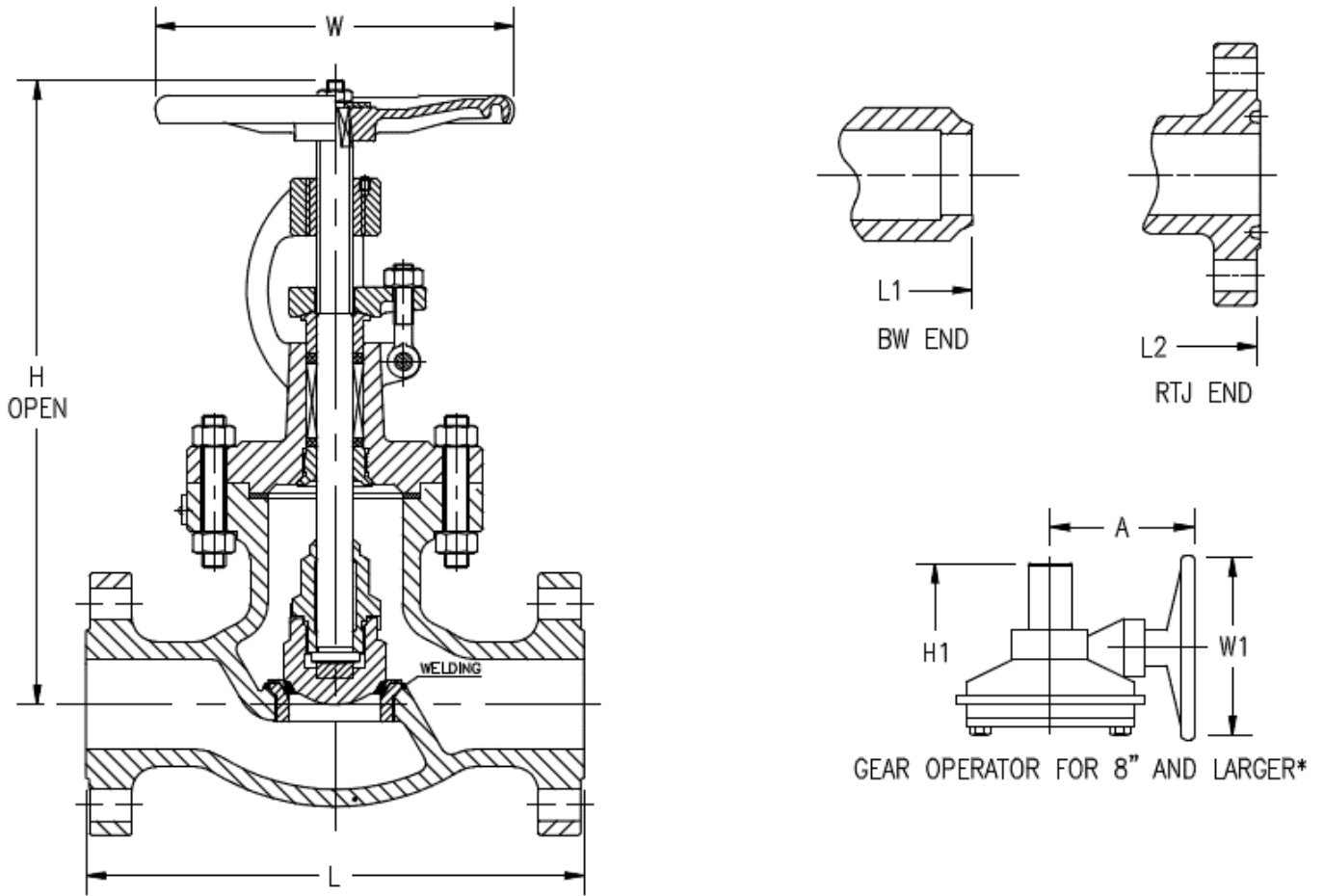
150#. Globe Cast Steel Valve



* WHEN REQUESTED

150# lb. Globe Cast Steel Valve										
Size	inch	2	2.5	3	4	5	6	8	10	12
	mm	50	65	80	100	130	150	200	250	300
L	mm	203.2	215.9	241.3	292.1	355.6	406.4	495.3	622.3	698.5
L1	mm	203.2	215.9	241.3	292.1	355.6	406.4	495.3	622.3	698.5
L2	mm	215.9	228.6	254	304.8	368.3	419.1	508	635	711.2
W	mm	200	250	250	300	350	400	450	450	640
W1	mm						305	460	460	460
H (Open)	mm	356	420	411	475	540	550	615	749	922
H1 (Gear)	mm						580	557	669	860
A	mm						240	360	360	360
WT (RF)	kg	21	30	37	57	78	100	156	261	308
WT (BW)	kg	17	22	29	46	67	86	134	227	272
WT (RF & GO)	kg						122	161	308	445
WT (BW & GO)	kg						108	159	274	409

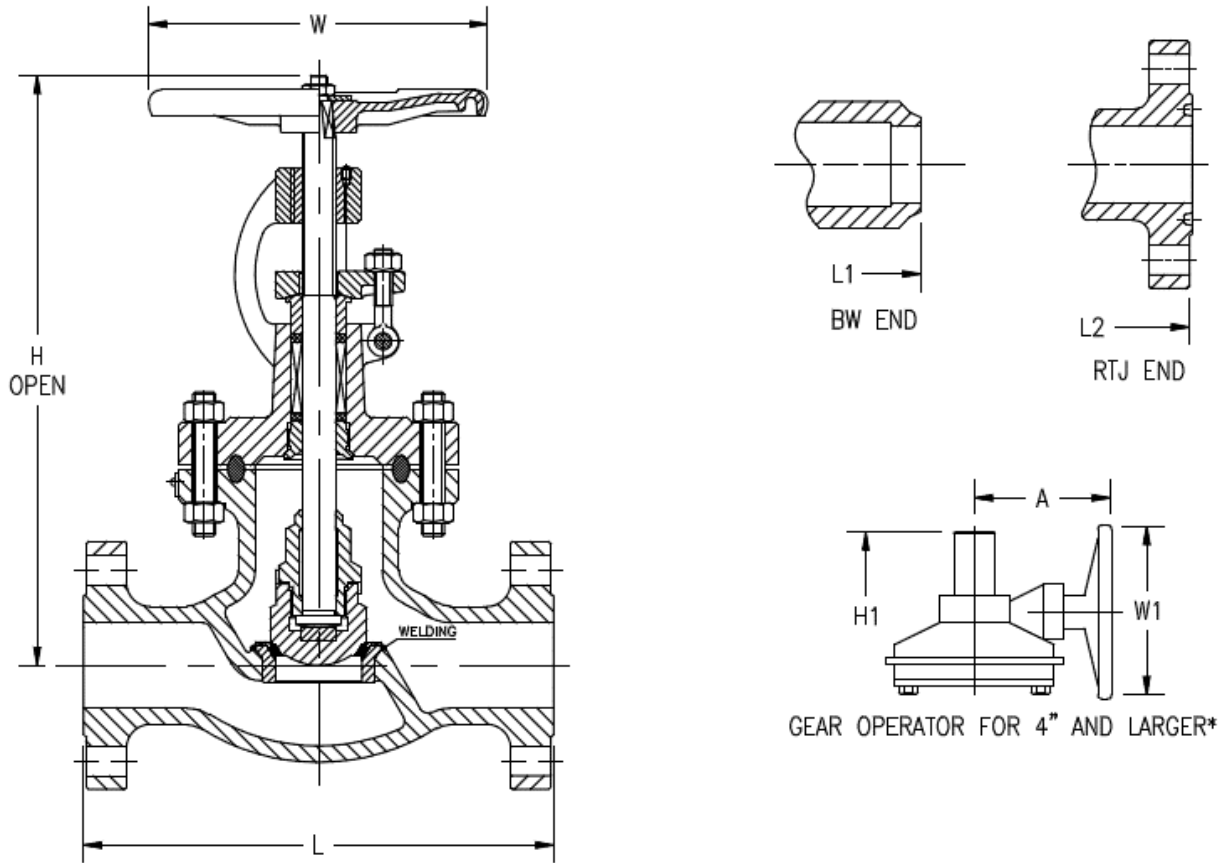
300# lb. Cast Steel Globe Valve



* WHEN REQUESTED

300# lb. Cast Steel Globe Valve									
Size	inch	2	2.5	3	4	5	6	8	10
	mm	50	65	80	100	130	150	200	250
L	mm	266.7	292.1	317.5	355.6	400.05	444.5	533.4	622.3
L1	mm	266.7	292.1	317.5	355.6	400.05	444.5	588.8	622.3
L2	mm	282.45	307.85	333.25	371.35	415.8	460.25	574.55	638.05
W	mm	200	250	300	350	400	450	500	610
W1	mm			305	305		305	460	610
H (Open)	mm	384	460	450	515	570	618	740	1049
H1 (Gear)	mm			480	545		648	770	1078
A	mm			240	240		240	360	411
WT (RF)	kg	31	44	55	84	110	150	225	385
WT (BW)	kg	25	35	46	76	99	119	180	329
WT (RF & GO)	kg			77	106		172	255	600
WT (BW & GO)	kg			68	98		141	210	534

600# lb. Cast Globe Valve



* WHEN REQUESTED

600# lb. Cast Steel Globe Valve

	inch	2	2.5	3	4	5	6	8
Size	mm	50	65	80	100	130	150	200
L	mm	292.1	330.2	355.6	431.8	508	558.8	660.4
L1	mm	292.1	330.2	355.6	431.8	508	558.80	660.4
L2	mm	295.1	333.25	358.65	434.85	511.05	561.85	663.45
W	mm	250	300	350	400	500	560	
W1	mm				305		460	610
H (Open)	mm	453	546	563	658	715	788	
H1 (Gear)	mm				688		870	940
A	mm				240		240	413
WT (RF)	kg	45	64	78	135	212	327	
WT (BW)	kg	38	54	64	106	157	261	
WT (RF & GO)	kg				157		417	542
WT (BW & GO)	kg				128		360	459